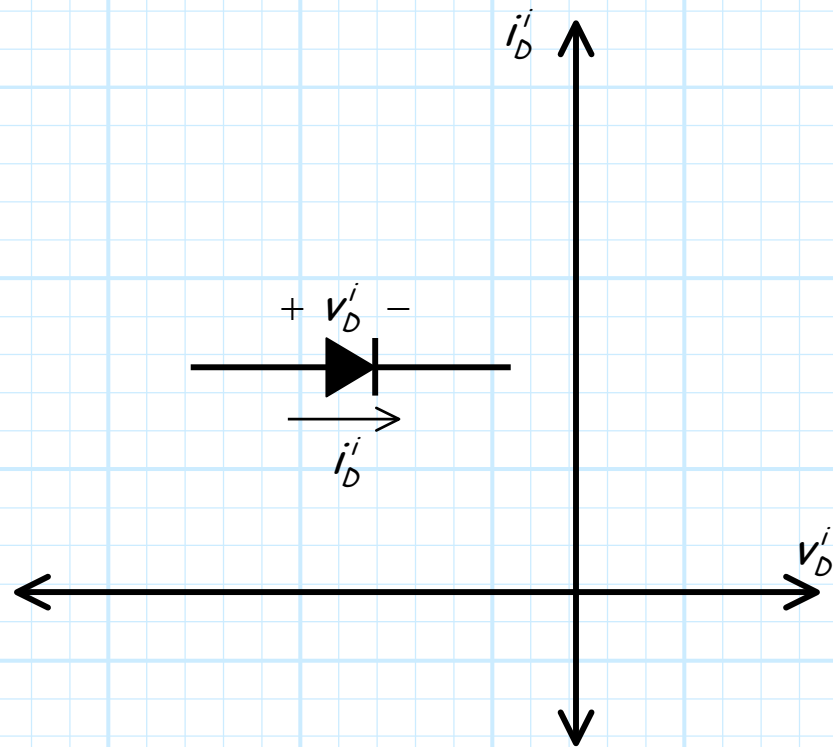


3.1 The Ideal Diode (pp.139-141)

A. The Ideal Diode Symbol

B. Ideal Diode Behavior

HO: Linear Device Behavior



C. Diode Bias Regions

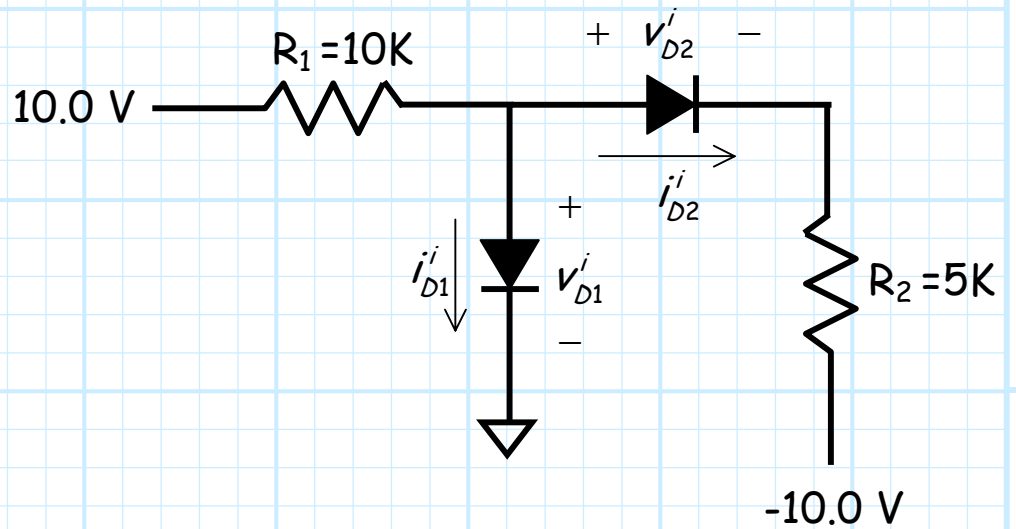
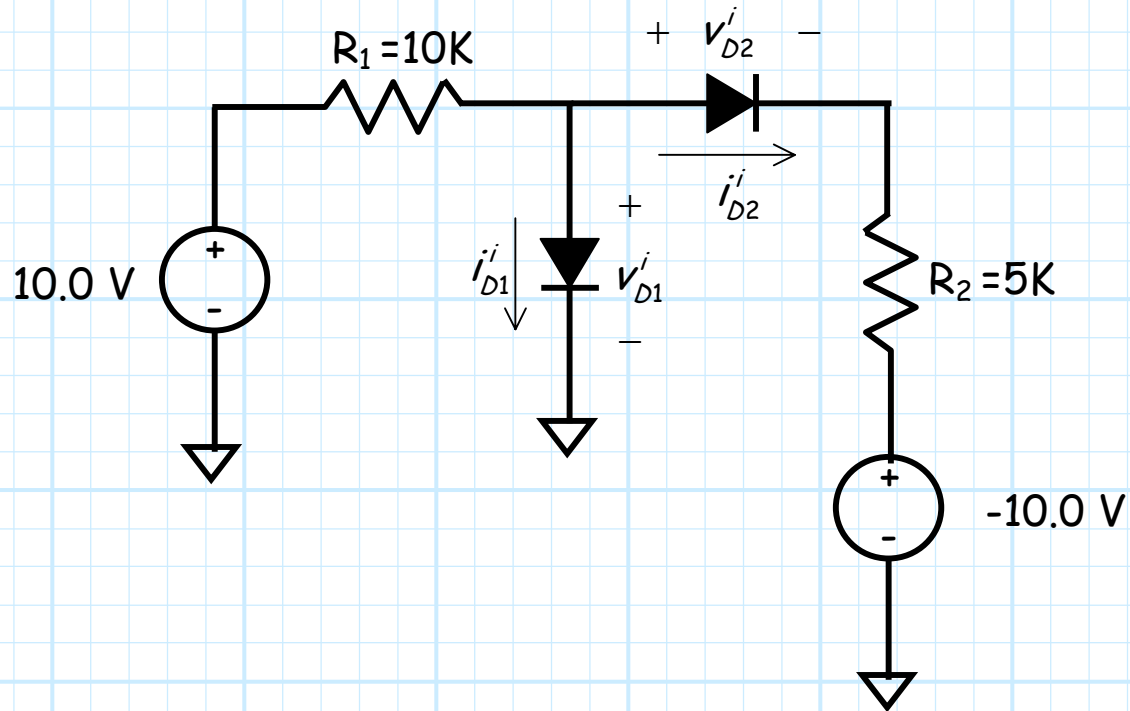
1) Forward Biased

2) Reverse Biased

HO The Ideal Diode

HO Diode Mechanical Analogy

D. Ideal Diode Circuit Analysis



HO: The Ideal Diode Circuit Analysis Guide

HO: Example: A Simple Ideal Diode Circuit

HO: Example: Analysis of a Complex Diode Circuit