

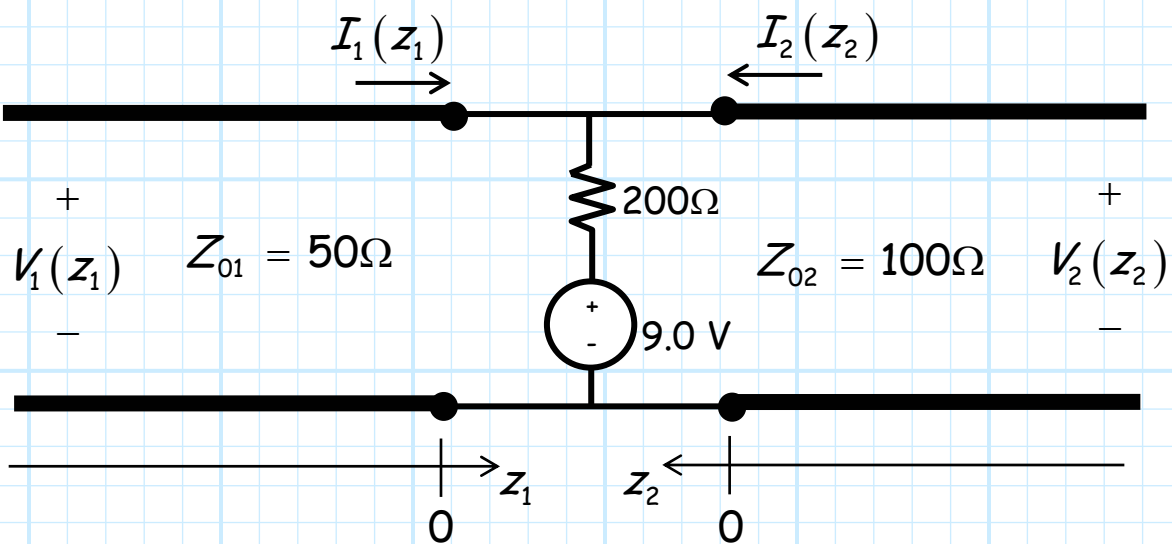
Special Problem 2.3-10

Carefully consider the **voltages** on the two transmission lines below:

$$V_1(z_1) = Ae^{+j\beta z_1} - 2.0e^{-j\beta z_1} \quad V$$

$$V_2(z_2) = Be^{+j\beta z_2} \quad V$$

Determine the values of **unknown constants** A and B .



Note the **characteristic impedance** of the two lines are **different!**