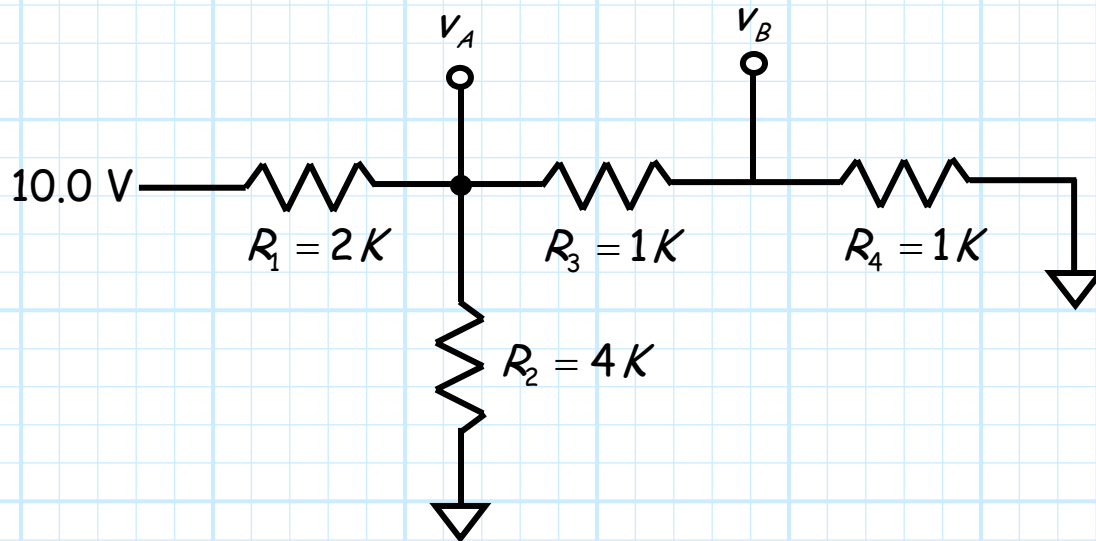


**Special Problem 3.0-1**

Consider the circuit below:



Determine the value of voltages  $V_A$  and  $V_B$  .