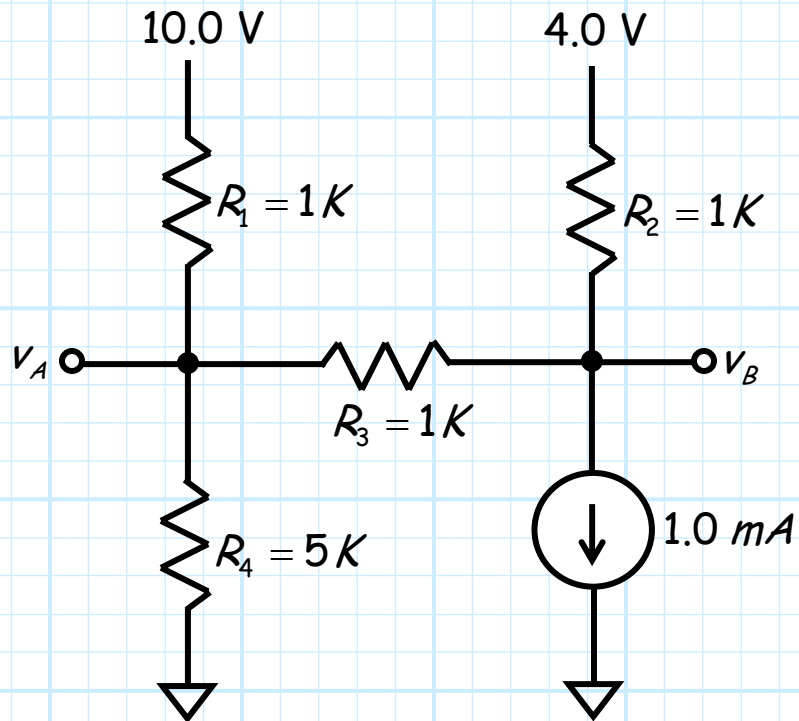


Special Problem 3.0-2

Consider the circuit below:



Determine the value of **voltages** V_A and V_B , and the **current** flowing through **all** four resistors.