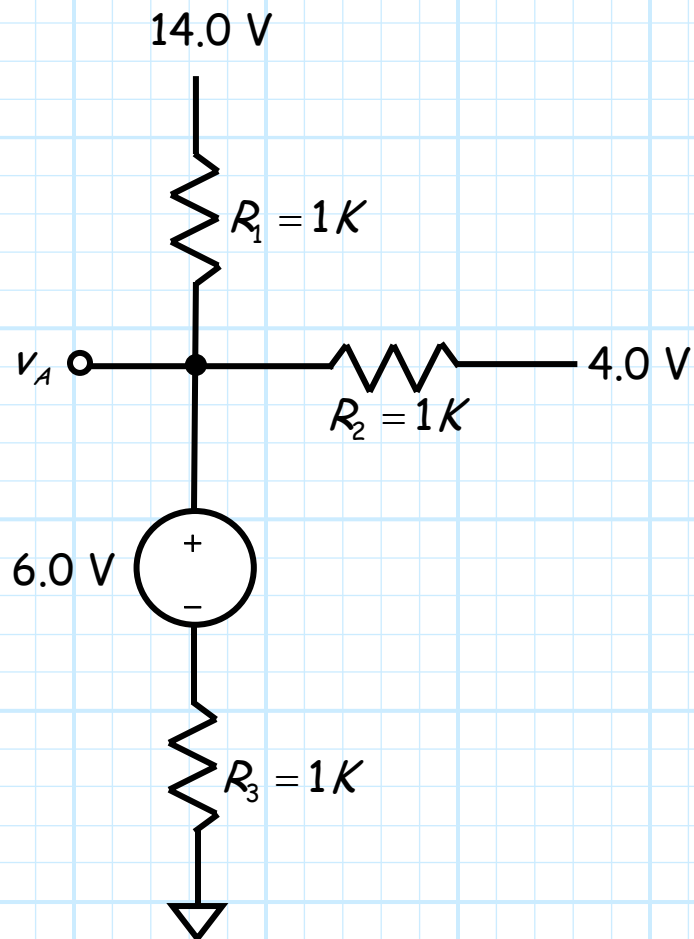


Special Problem 3.0-3

Consider the circuit below:



Determine the value of **voltage** V_A , and the **current** flowing through **all** three resistors.