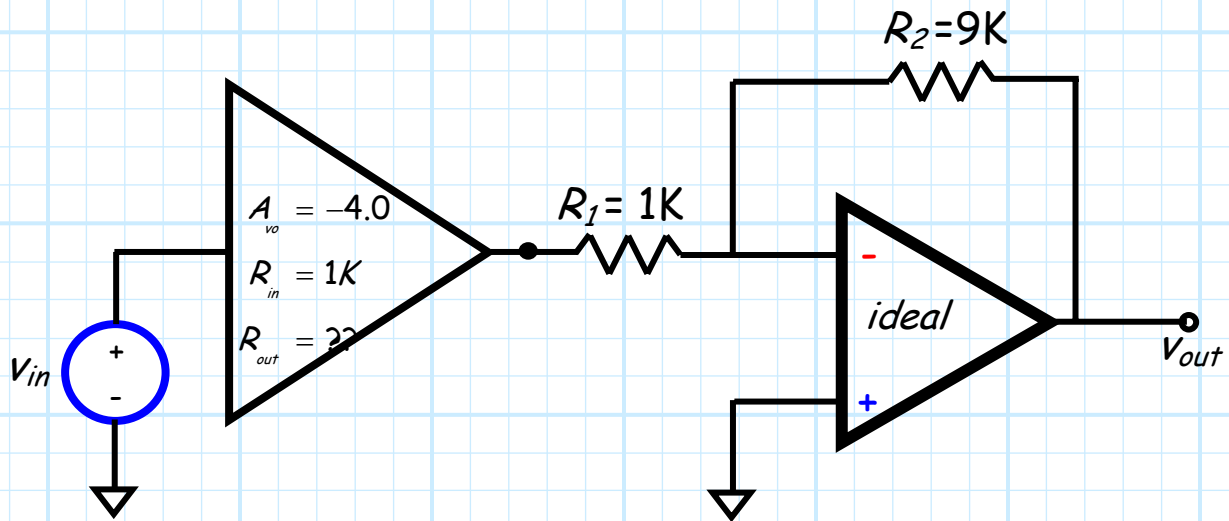


Special Problem 2.3-4

In the circuit below, an amplifier with $A_{vo} = -4.0$ and $R_{in} = 1K$ is followed by an inverting amplifier.

The **output** of the **second** amplifier is related to the **input** of the **first** amplifier as:

$$v_{out} = 12.0 v_{in}$$



Determine the **output resistance** R_{out} of the **first** amplifier.