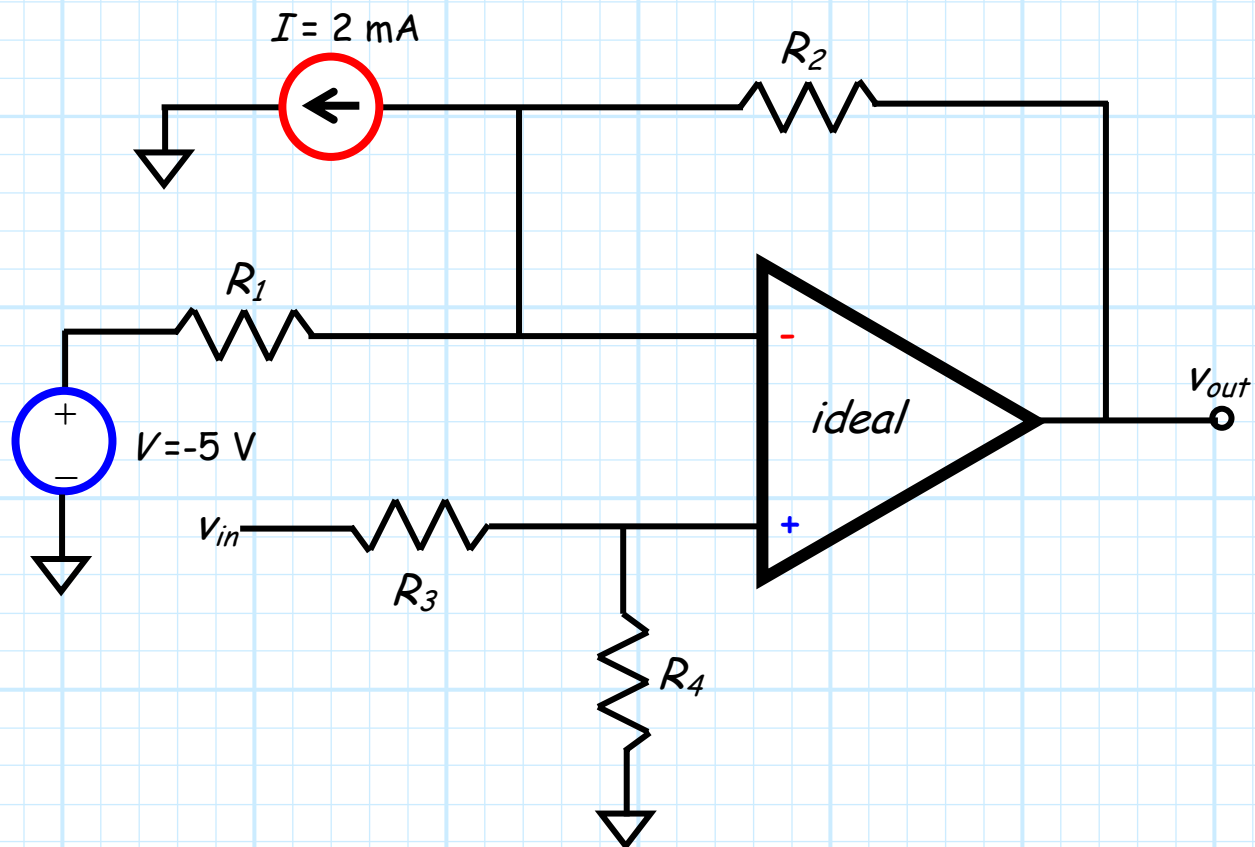


Special Problem 2.4-1

Find the **output** v_{out} in terms of v_{in} for the circuit below:



Hint: Use **superposition** to solve this problem. Look **carefully** at the circuit after sources are turned **off**.