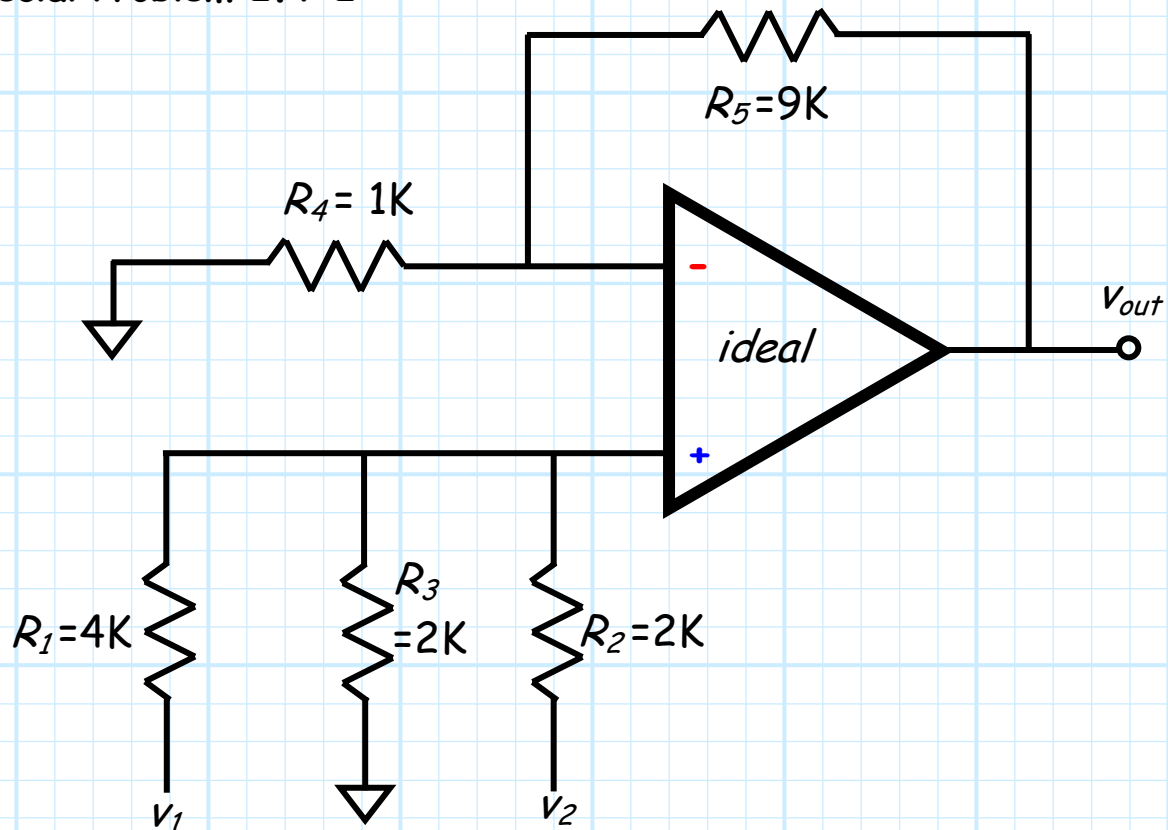


## Special Problem 2.4-2



For the circuit above, determine:

1. **output**  $V_{out}$  in terms of inputs  $V_1$  and  $V_2$ .
2. both the **differential** and **common-mode** gains of this amplifier.
3. the **CMRR**.