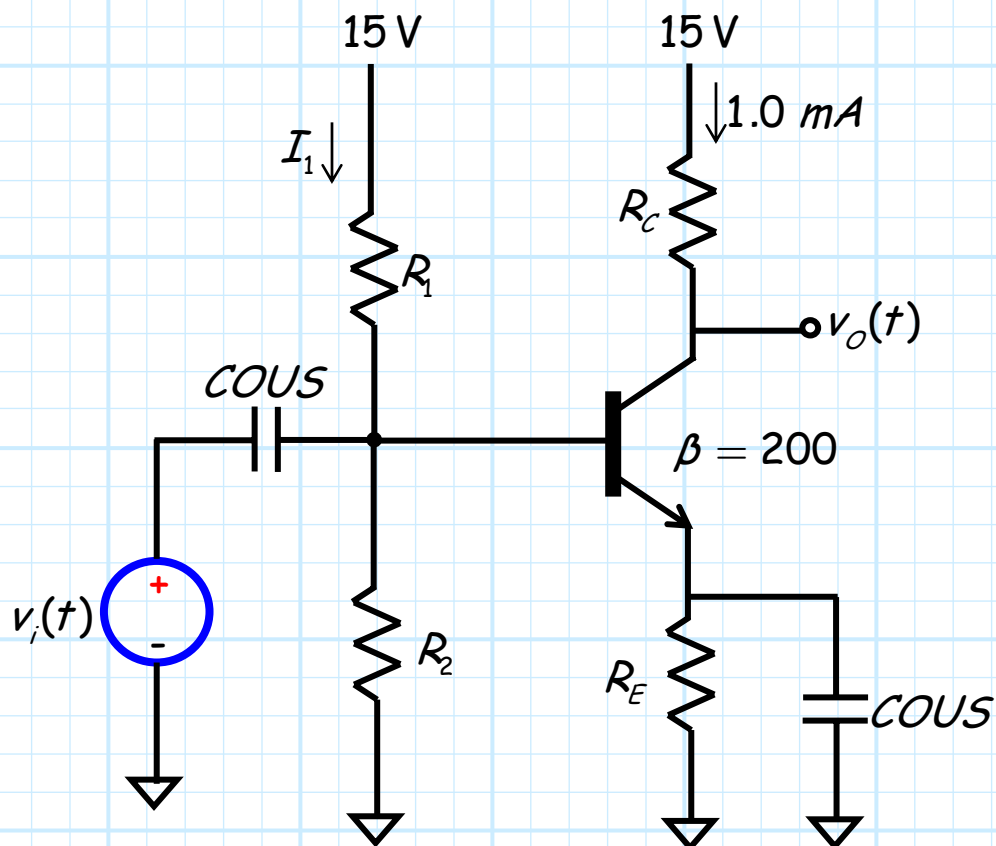


Special Problem 5.5-2

Determine the values of resistors R_1 , R_2 , R_C , R_E so that:

- the DC collector current is 1.0 mA.
- the DC emitter voltage is $V_E = 2.3$ V.
- current $I_1 = 0.5 I_C$.
- the small-signal output shown on the next page is as large as possible (i.e., the value a is as large as possible) without distortion.

Hint: This is a DC bias problem, no small-signal analysis is required.



Look on next page to see output signal!!

Note this is the small-signal **output** signal.

