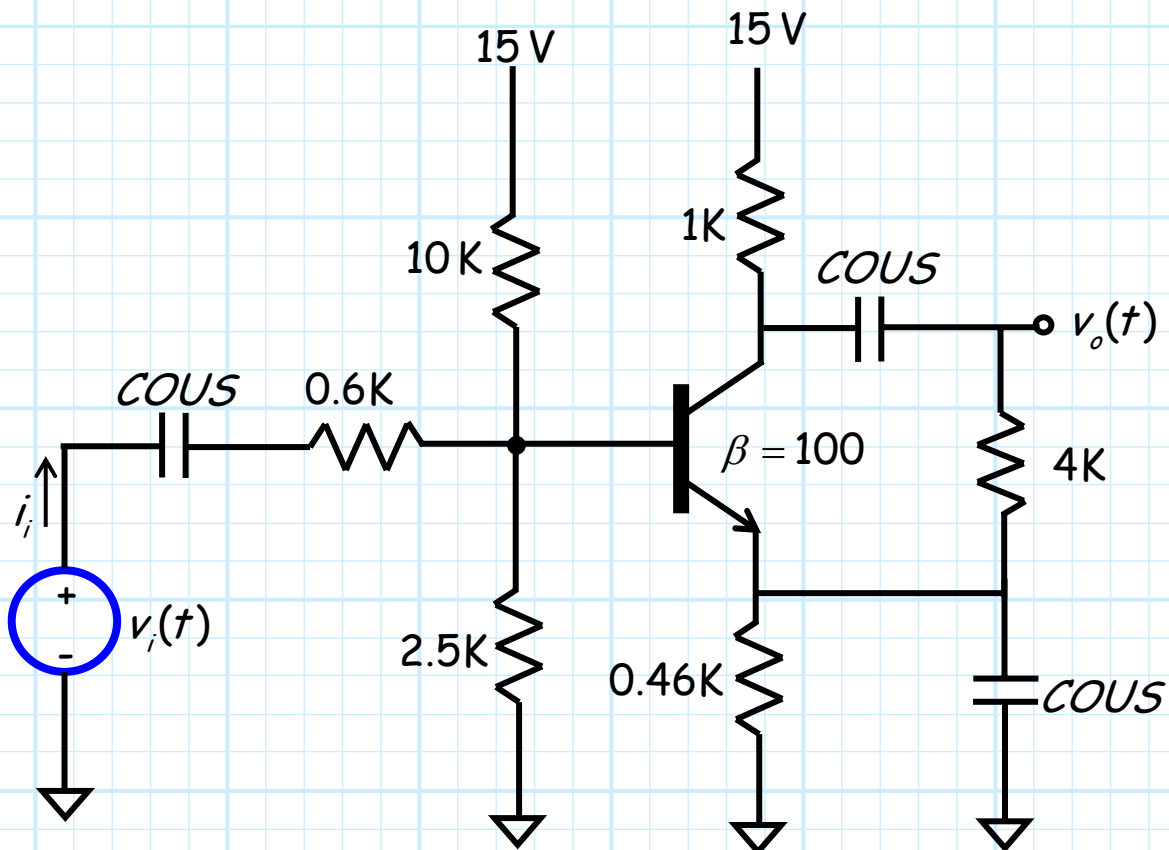


Special Problem 5.6-3

I have completed the DC analysis of this amplifier.

The collector current is $I_c = 5.0 \text{ mA}$, and the the BJT is bias in the active mode.



Continue with this analysis and determine:

- the small-signal gain $A_{vo} = v_o/v_i$ of the amplifier.
- the small-signal input resistance of the amplifier