

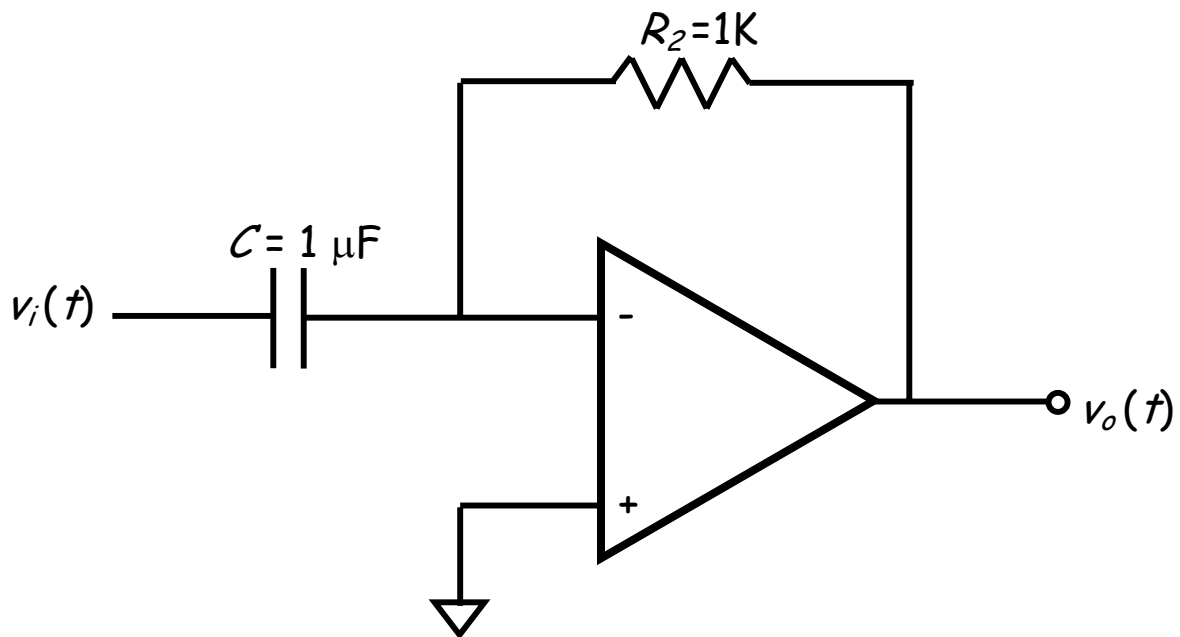
Special Problem 2.8-4

The **slew rate** of the op-amp in the circuit below is:

$$\text{slew rate} = 3.2 \times 10^5 (\pi)^2 \text{ V/s}$$

The **input** to this circuit is the signal:

$$v_i(t) = 0.002 \cos \omega t \text{ V}$$



Determine the **largest possible** value of signal frequency ω that would **not** result in a **distorted** output signal (due to slew-rate limiting).