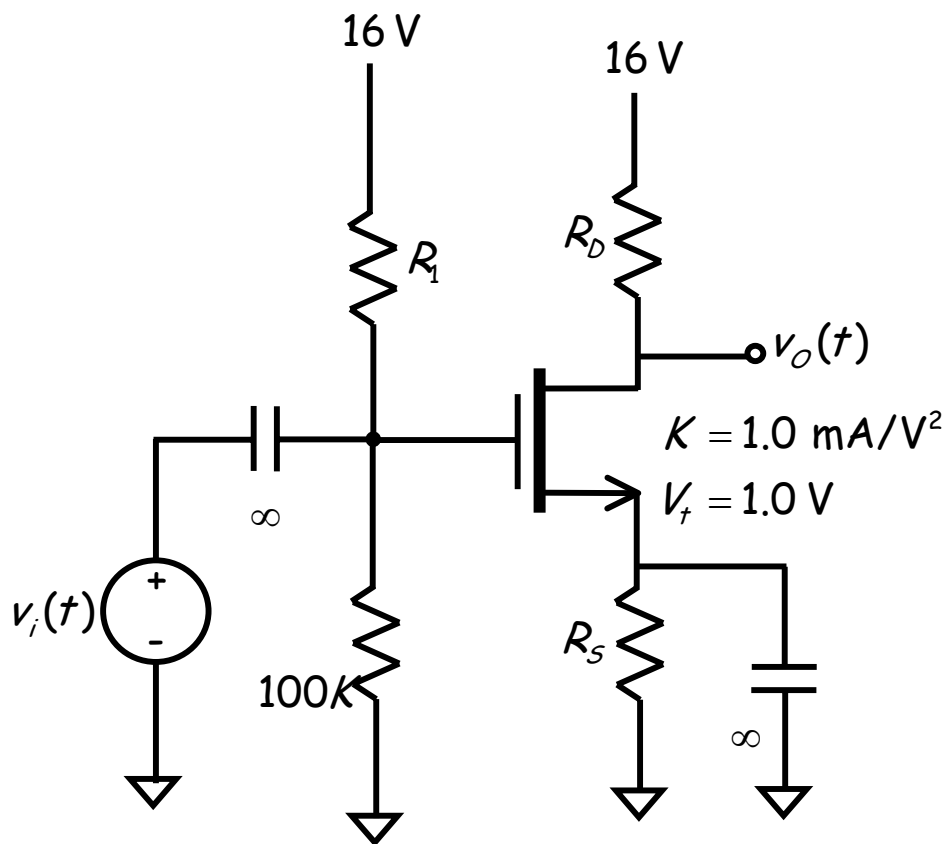


Special Problem 5.6-3

Determine the values of resistors R_1 , R_D , R_S so that:

- the DC drain current is $I_D = 4.0$ mA.
- the DC source voltage is $V_S = 2.0$ V.
- the small-signal output shown on the next page is as large as possible (i.e., the value a is as large as possible) without distortion.

Hint: This is a DC bias problem, no small-signal analysis is required.



Look on next page to see small-signal output signal!!

Note this is the small-signal **output** signal!

