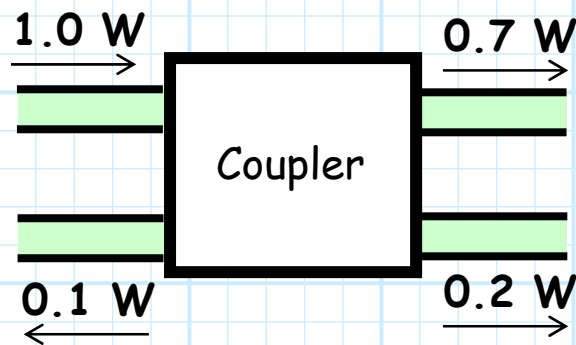
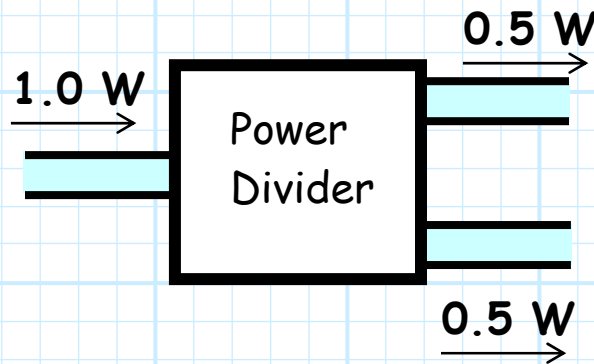


Chapter - 7 Power Dividers and Couplers

One of the most fundamental problems in microwave engineering is how to efficiently **divide** signal power.



The **simplest** microwave problem would seemingly be to **equally** divide signal power in two:



However, building these devices is **more difficult** than you might think!

7.1 - Basic Properties of Dividers and Couplers

Reading Assignment: *pp. 308-315*

First let's examine four-port networks called **directional couplers**, and explain some fundamental values that characterize them.

HO: THE DIRECTIONAL COUPLER