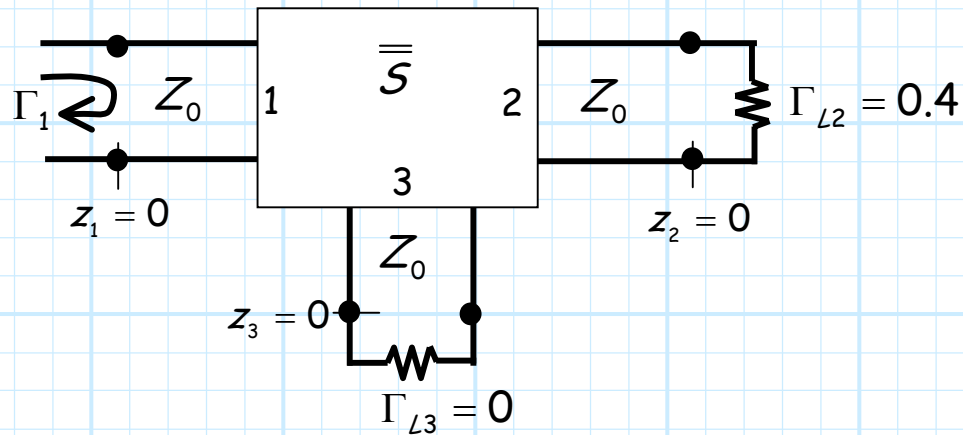


Special Problem 4.5-1

Draw the signal flow graph of the circuit below, and then reduce that graph to determine **graphically** the value of the **reflection coefficient** looking into port 1 (i.e., $\Gamma_1 = V_{01}^- / V_{01}^+$). **Hint:** $\Gamma_1 \neq S_{11}$!



$$\overline{S} = \begin{bmatrix} 0 & 0.5 & 0.3 \\ 0.2 & 0 & 0 \\ 0 & 0.1 & 0 \end{bmatrix}$$