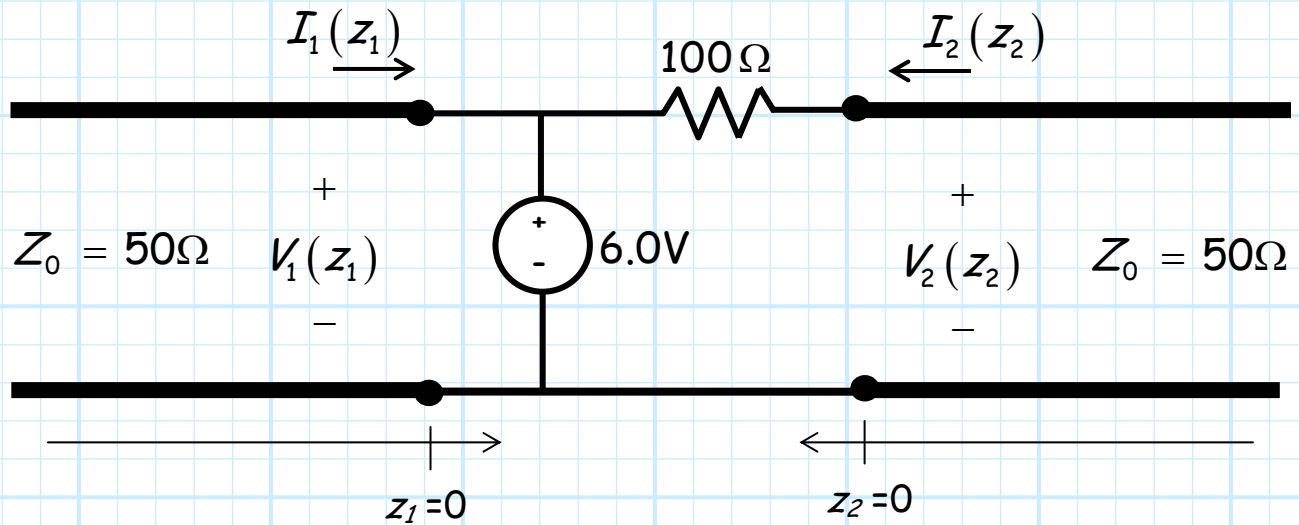


Special Problem 2.3-11

Consider the circuit below:



It is known that the **voltages** along the two transmission lines are:

$$V_1(z_1) = 5 e^{-j\beta z_1} + A e^{+j\beta z_1} \quad \text{for } z_1 < 0$$

$$V_2(z_2) = B e^{+j\beta z_2} \quad \text{for } z_2 < 0$$

Determine values A and B .

Hint: $I_2(z_2 = 0) \neq -I_1(z_1 = 0)$.